

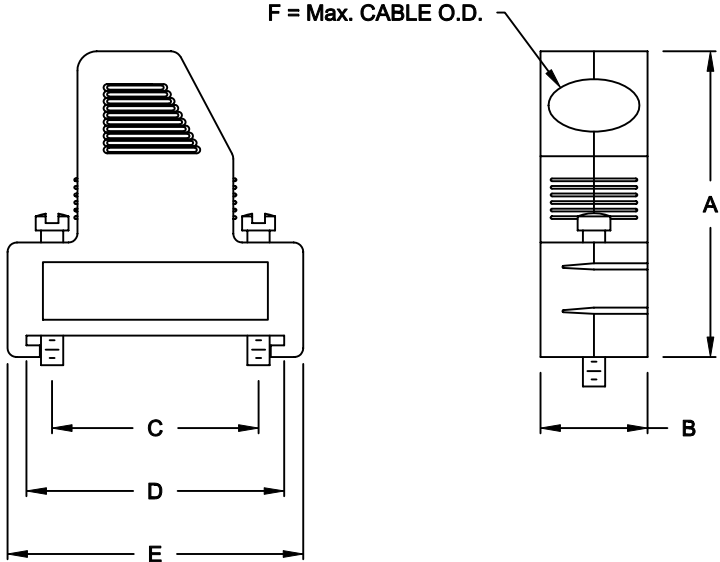
DESCRIPTION: 60° ENTRY - METALIZED PLASTIC

SPECIFICATIONS:

MATERIAL: ABS/PC, UL94 V-0
 PLATING: NICKEL OVER COPPER

BACKSHELL KIT INCLUDES:

- (2) BACKSHELL HALVES
- (1) STRAIN RELIEF CLAMP
- (2) STRAIN RELIEF SCREWS
- (2) JACKSCREWS



950-YYY-020R121

SERIES _____
 POSITIONS _____
 009 _____
 015 _____
 025 _____
 037 _____
 MATERIAL _____
 020 = METALIZED PLASTIC
 RoHS COMPLIANT _____
 R = HIGH TEMP. PROCESS
 COLOR _____
 12 = METAL(IZED)
 PUT-UP _____
 1 = KIT

DIMENSIONS (IN.)

No. OF PINS	A	B	C	D	E	F
09	1.457	0.496	0.984	1.228	1.409	0.354
15	1.496	0.496	1.311	1.555	1.736	0.354
25	1.614	0.496	1.854	2.098	2.280	0.354
37	1.614	0.496	2.500	2.744	2.925	0.354

DO NOT SCALE FROM DRAWING



THESE DRAWINGS AND SPECIFICATIONS ARE THE PROPERTY OF NorComp AND SHALL NOT BE REPRODUCED, COPIED OR USED AS THE BASIS FOR THE MANUFACTURE OF SALE OF APPARATUS WITHOUT WRITTEN PERMISSION.

DRAWN: C. SMITH		DATE: 03-26-07	
CHECKED:		DATE:	
SCALE: 1:1	SHEET 1	OF 1	REV 0
DWG NO. 950-YYY-020R121			

NorComp

RoHS COMPLIANT